



Intro 8 is a network ticket printer for the solutions Orchestra, Ensemble, Solo and Q-WIN. The 8-inch colour LCD capacitive touch screen with a built-in web browser makes it possible to display a wide range of information.

The built-in web browser can display information from any standard web server together with information from the local queue server. The information is displayed on the same page to provide the best possible customer service.

This version of the printer is used without a licence when operating as a client printer. When MyQmatic and a licence are added, the printer is instead called Solo. For more information, please see the Solo Data Sheet, found on the Partner Portal.

Features

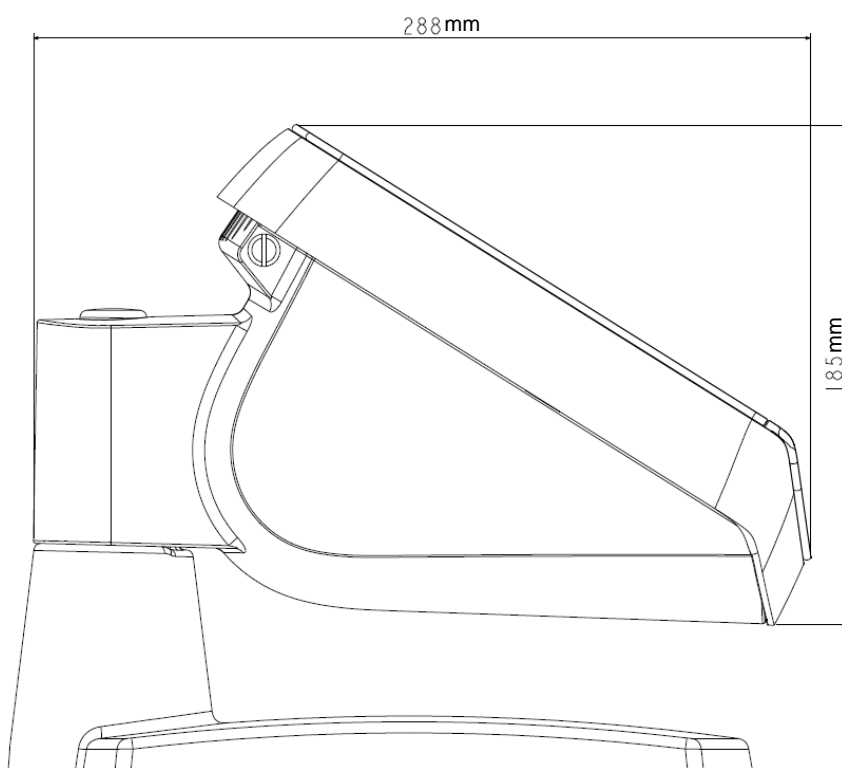
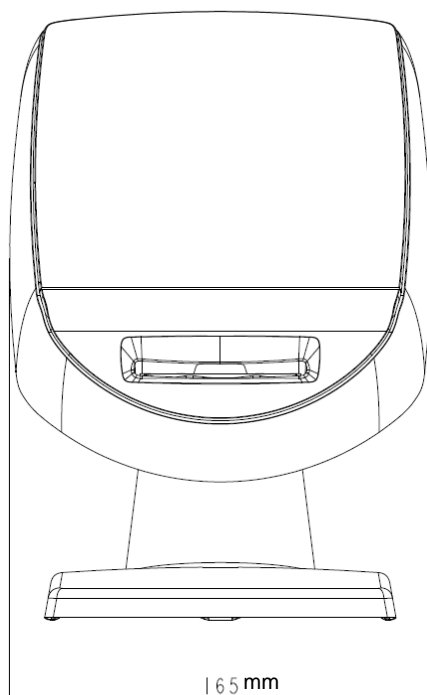
- Ethernet connection
- 8-inch colour LCD capacitive touch screen
- Built-in web browser
- Thermal print head, no ink or toner
- Supports all Windows fonts

With the Intro 8, you can

- Print tickets in any language
- Display system information
- Display HTML pages from any web server
- Use a dynamical number of ticket buttons: a button can automatically be removed from the screen when the corresponding service is closed

| | | |
|---------------------------------|--|--|
| Used with | Orchestra, Ensemble, Solo and Q-WIN S SE or newer. | |
| Technical specifications | Weight | 1.414 kg |
| | Material, casing | ABS plastic |
| | Printing method | Thermal printing. Printing speed max: 140 mm/s, 8 dots/mm (203 dpi) |
| | Paper type | Thermal sensitive |
| | External power supply | Input: 100-240 V AC, 50-60 Hz, output: 24 V DC, 4 A |
| | Power consumption | Stand by: approx: 6 W. Printing $W_{max} = 106$ W, $T_{max} = 1$ sec. |
| | Back-up battery | CR2032, 3V, lithium anode |
| | Temperature | Operating: 10-40 °C, storage: 0-40 °C. |
| | Relative humidity | Operating: 15-75%, storage: 10-90% |
| | Network transmission speed | Supported: 10/100 Mbit/s Ethernet, minimum: 10 Mbit/s |
| | Connectors/cables | RJ45 – CAT5 – FTP / S-FTP or better. Flexible to withstand bending |
| | Expected life – thermal print head | More than 1,65 million standard tickets (60 mm) at print rate of 12,5% |
| | Display | Touch capacitive, 104,4 X 170 mm. Resolution: 480 X 800 pixels. Contrast ratio: 600:1, luminance: 400 cd/m ² . Viewing angles: Left: 60 °, right: 80°, above: 80°, below: 80° |
| | Safety and other regulations | CE, RoHS2, WEEE |
| The package contains | Intro 8 | 1 |
| | Printed Quick Guide | 1 |
| | Power supply | 1 |
| | Ticket roll (10900083) | 1 |
| | Ferrite | 1 |
| | Keys | 2 |
| Accessories | Wall bracket | 10213205 |
| | Upper columns | 2 lengths |
| | Table stand | 10213204 |
| | Floor pedestal P3310 | 10213206 |
| | Signboard | 10930401 |
| | Floor pedestal P3311 | 10213210 |
| Article number | Intro 8 | 10213053 |

QMATIC



DS200.01C