



Qmatic Intro 17 is a Linux based customer service point for Orchestra systems. It is used to present customers with choices and print tickets. Qmatic Intro 17 is equipped with a 17" LCD with a touch screen which makes it possible to design very informative and attractive displays.

The included ticket printer is a network printer that can print tickets in any language.

Qmatic Intro 17 can be placed on a floor pedestal, on a table or hung on a wall.

Features

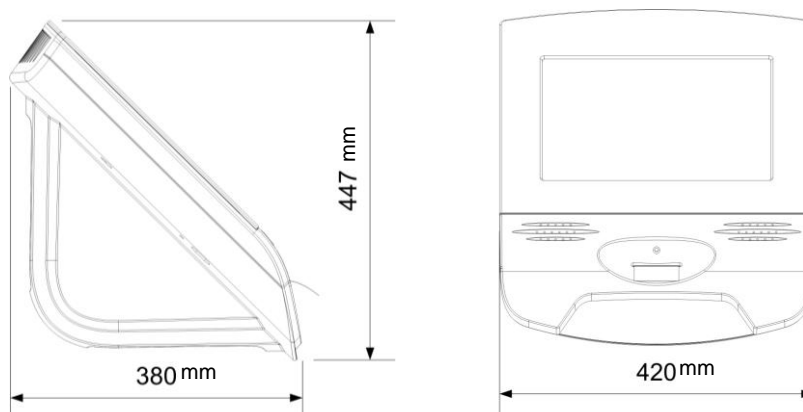
- Linux based
- 17-inch colour LED LCD with projective capacitive touch screen. Completely flat glass top surface
- Ethernet connection
- Built-in web browser
- Support for all languages
- Two loudspeakers
- Exterior colour is silver (aluminium) and black glass
- Optional stands for wall, table and floor mounting
- Optional signboards for the pedestal for a logotype, text, etc
- Optional magnetic card reader for customer identification
- Optional ceiling connection kit for routing cables from the ceiling

Used with Orchestra, Ensemble, Duet Virtua, Solo Virtua, Q-Win

Technical specifications	Weight	16,0 kg
	Material, casing	Aluminium and glass
	Printing method	Thermal printing
	Paper type, ticket roll	Printing speed max: 140 mm/s, 8 dots/mm (203 dpi)
	Display	Thermal sensitive
		17", 16.7 million colours
		Resolution: 1280 X 1024 pixels. Contrast ratio: 800:1, luminance: 350 cd/m2
	Viewing angles: from left, right, above and below: 80°	
	Touch screen	Projective capacitive touch screen; no film or other on top of glass
	External power supply	Input: 100-240 V AC, 50-60 Hz, output: 24 V DC, 5 A
	Power consumption	Stand by, approx 45 W. Printing, max 125 W
	Temperature	Operating: 10-40 °C. Storage: 0-40 °C
	Relative humidity	Operating: 15-75%. Storage: 10-90%
	Network transmission speed	Supported: 10/100 Mbit/s Ethernet, minimum: 10 Mbit/s
	Connectors/cables	RJ45 – CAT5 – FTP / S-FTP or better. Flexible to withstand bending
Expected life of thermal print head	More than 1,65 million standard tickets (60 mm) at print rate of 12,5%	
Safety and other regulations	CE, RoHS2, WEEE	

The package contains	Qmatic Intro 17	1
	Printed Quick Guide	1
	Power supply	1
	Ticket roll	1

Article number Qmatic Intro 17 10214120



DS199.01C